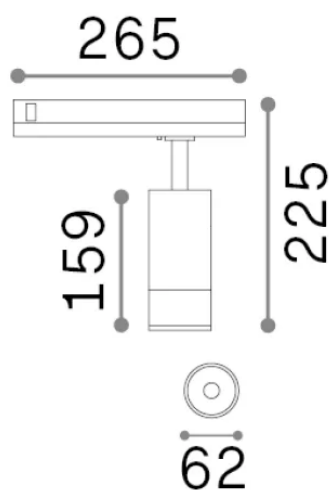


General info

Technical - Spotlights and Tracks



Ean	8021696302959
Item	EOS TR 3-PHASE 15W 3000K 1-10V WH
Installation	Spotlights and Tracks
Warranty	5 years
Gross weight	0.75 kg
Volume	0.0042 m ³

Technical info

Net weight	0.66 kg
Insulation class	II
Protection index	IP20
Compliance	CE
Operating temperature	0° ~ +40 °C
Dimmer	1, 1-10V
Power output	220-240 V AC 50/60 Hz
Power supply	In-built, included NO, electronic
Accessories not included	Link 3-phase 1-10V/DALI profile

Source info

Integrated source	Integrated LED module
Replaceable source	Replaceable (by qualified operators only)
Power	15 W
Emission	Direct
Max consumption	max 15 W
Features LED	LED COB BRIDGELUX
CCT LED	3000 K
Duration LED (t. 25°C)	50000 h
CRI	> 90
SDCM	3
Light beam	20-55°
Light beam flux	1700 lm
Useful light flux	1300 lm
Photobiological risk	1
Standby power	< 0.50 W