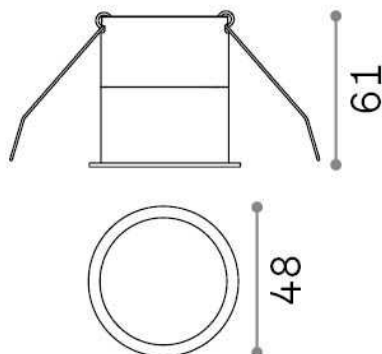


General info

Technical - Recessed lights



Ean	8021696258461
Item	QUARK FI 8.0W 3000K BK
Installation	Recessed lights
Guarantee	5 years
Gross weight	0.2 kg
Volume	0.000506 m ³

Technical info

Net weight	0.17 kg
Insulation class	II
Protection index	IP20
Compliance	CE
Operating temperature	0° ~ +40 °C
Dimmer	NO, On-Off
Power output	220-240 V AC 50/60 Hz
Power supply	In-built, included Replaceable (by qualified operators only), electronic
Recessed specifications	Ø 45 - h. ≥ 110 , 1-25

Source info

Integrated source	Integrated LED module
Replaceable source	Replaceable (by qualified operators only)
Power	8 W
Emission	Direct
Max consumption	max 8,00 W
Features LED	LED COB CITIZEN
CCT LED	3000 K
Duration LED (t. 25°C)	50000 h
CRI	> 90
SDCM	3
Light beam	30°
Light beam flux	650 lm
Useful light flux	410 lm
Photobiological risk	1