

General info

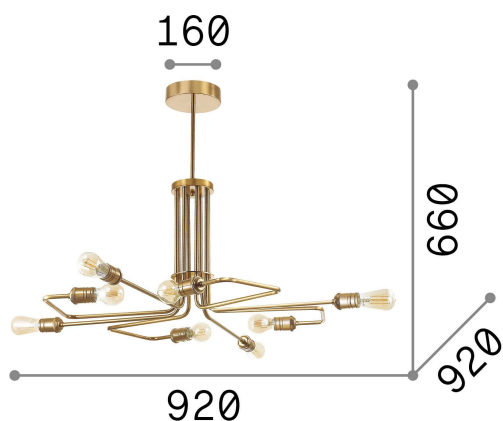
Indoor - Suspensions



Ean	8021696242347
Item	TRIUMPH SP8 NERO
Installation	Suspensions
Guarantee	5 years
Gross weight	5.4 kg
Volume	0.04704 m ³

Technical info

Net weight	3.64 kg
Insulation class	I
Protection index	IP20
Compliance	CE
Operating temperature	0° ~ +40 °C
Dimmer	Determined by the light bulb
Power output	220-240 V AC
Power supply	Not required



Source info

Integrated source	Light bulb (not included)
Replaceable source	No
Power	E27 max 8 x 42 W
Emission	Diffuse
Max consumption	-